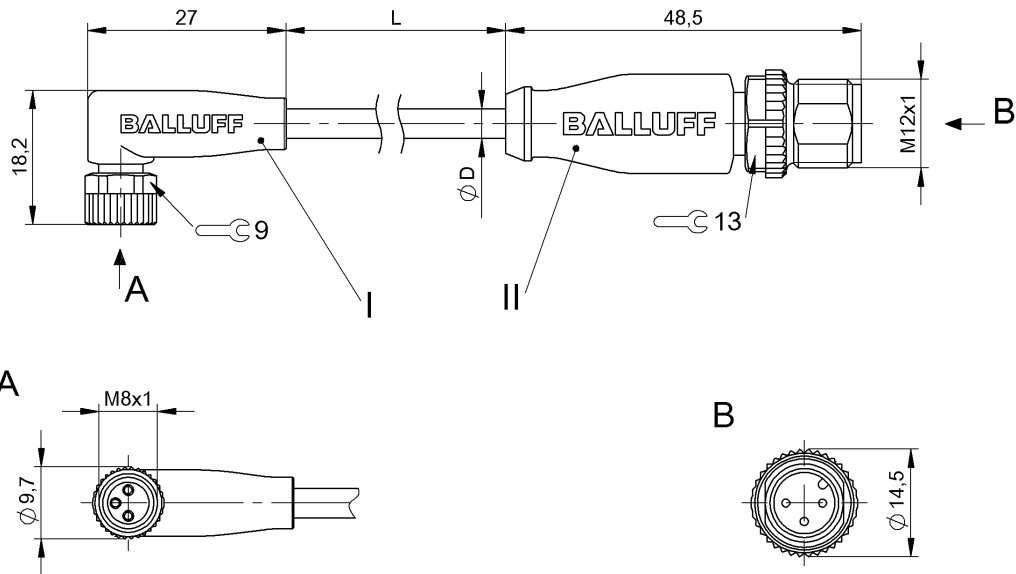


Double-Ended Cordsets
BCC M323-M413-3E-602-PY3334-050
Order Code: BCC0M63

BALLUFF



Basic features

| | |
|----------------------------|---------------------|
| Application | Welding area |
| Approval/Conformity | CE cULus WEEE |

Display/Operation

| | |
|-----------------------------------|--------------|
| Function indicator (Pin 4) | LED yellow |
| Power indicator | LED green/no |

Electrical connection

| | |
|--|---|
| Bending radius min., fixed cable | 5 x D |
| Bending radius min., flexible cable | 10 x D |
| Cable | PUR welding spark resistant Orange, 5 m, drag chain compatible |
| Cable diameter D | 4.60 mm ±0.20 mm |
| Cable, bending cycles min. | 5 mil. |
| Cable, torsion stress | ±360°/m |
| Conductor cross-section | 0.34 mm ² |
| Connection 1 | M8x1-Female, angled, 3-pin, A-coded |
| Connection 2 | M12x1-Male, straight, 3-pin, A-coded |
| Number of conductors | 3 |
| System | Molded/Molded |

Electrical data

| | |
|------------------------------|--------|
| Operating voltage Ub | 30 VDC |
| Rated current (40 °C) | 4.0 A |

Environmental conditions

| | |
|--|-------------------------------|
| Cable temperature, drag chain | -25...60 °C |
| Cable temperature, fixed routing | -40...80 °C |
| Cable temperature, flexible routing | -25...80 °C |
| IP rating | IP67, IP69K/IP67, IP68, IP69K |

Interface

| | |
|-------------------------|------------------------|
| Switching output | PNP normally open (NO) |
|-------------------------|------------------------|

Material

| | |
|------------------------------------|--|
| Cable jacket material, note | welding spark resistant |
| Cable jacket, material | PUR |
| Material contact carrier | PUR/PUR |
| Material contacts | Bronze/Brass |
| Material cover nut | Die-cast zinc or nickel plated brass/Die-cast zinc |
| Material grip | PUR/PUR |

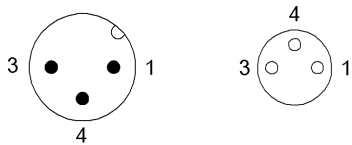
Mechanical data

| | |
|--|-----------------------|
| Acceleration max., drag chain | 5 m/s ² |
| Cable jacket, color | Orange |
| Cable length L | 5.00 m |
| Cable properties | drag chain compatible |
| Horizontal travel permitted, drag chain | 5 m |
| Tightening torque pigtail | 0.4 Nm/0.6 Nm |
| Traverse speed max., drag chain | 200 m/min |
| Vertical travel permitted, drag chain | 2 m |

Remarks

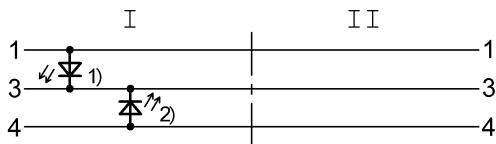
Enclosure rating per IEC 60529 or 20653, only in screwed state with the associated mating piece.
 Cable construction acc. to UL-AWM Style 20549
 Halogen-free per DIN VDE 0472 Part 815
 LABS-free
 Flame resistance per UL FT2
 Cable marking according to MgU-I-B09-41
 Weld spark resistant according to MgU-I-B09-41

Connector Drawings



| | |
|--------------|--------------|
| II | I |
| PIN 1: brown | PIN 1: brown |
| PIN 3: blue | PIN 3: blue |
| PIN 4: black | PIN 4: black |

Wiring Diagrams



1) Green LED = Power
 2) Yellow LED = Function